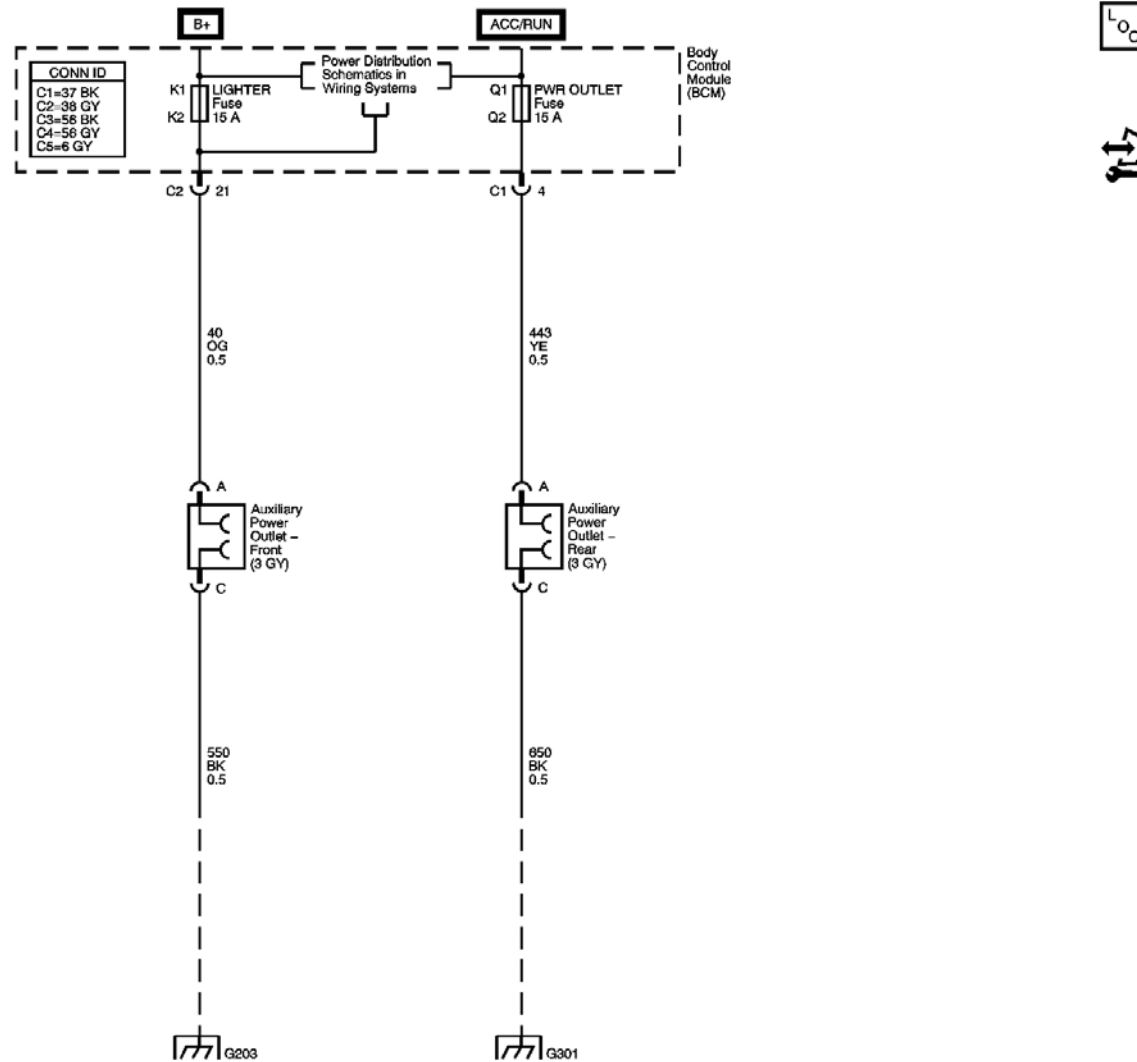


# 2005-07 ACCESSORIES & EQUIPMENT

## Power Outlets - Ion

### SCHEMATIC AND ROUTING DIAGRAMS

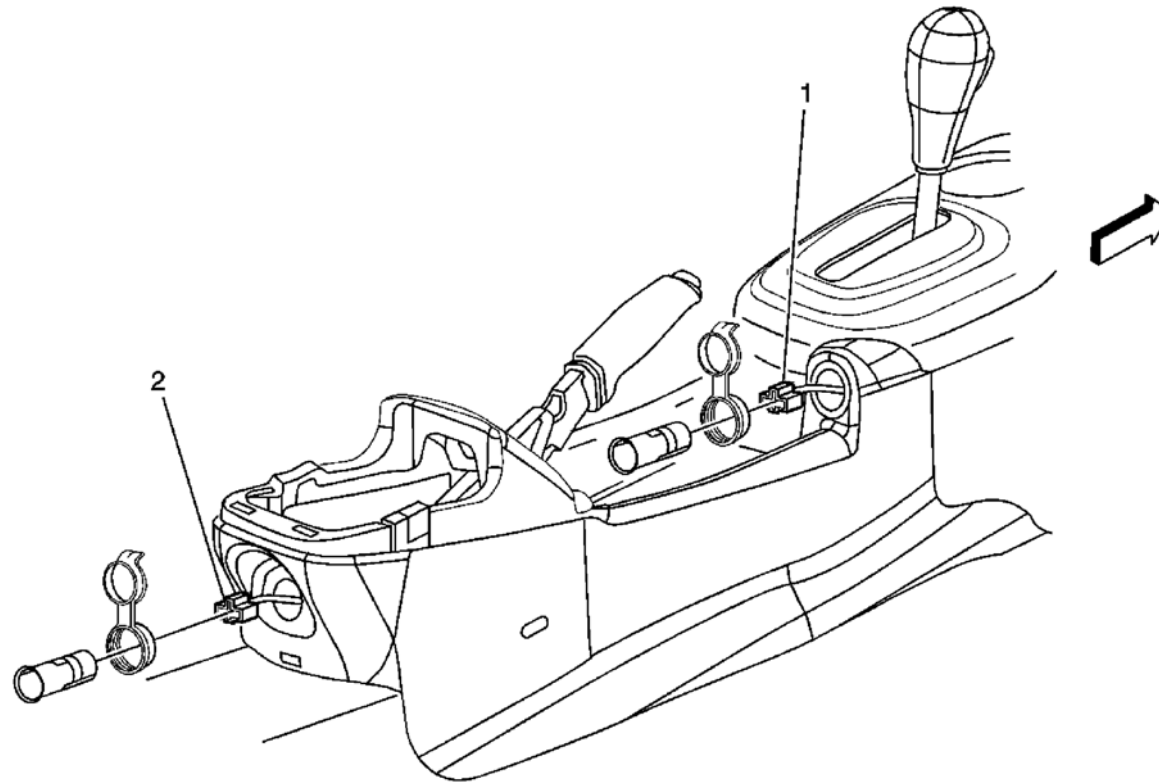
### CIGAR LIGHTER/AUXILIARY OUTLETS SCHEMATICS



**Fig. 1: Cigar Lighter/Auxiliary Outlets Schematic**  
Courtesy of GENERAL MOTORS CORP.

### COMPONENT LOCATOR

### POWER OUTLET COMPONENT VIEWS



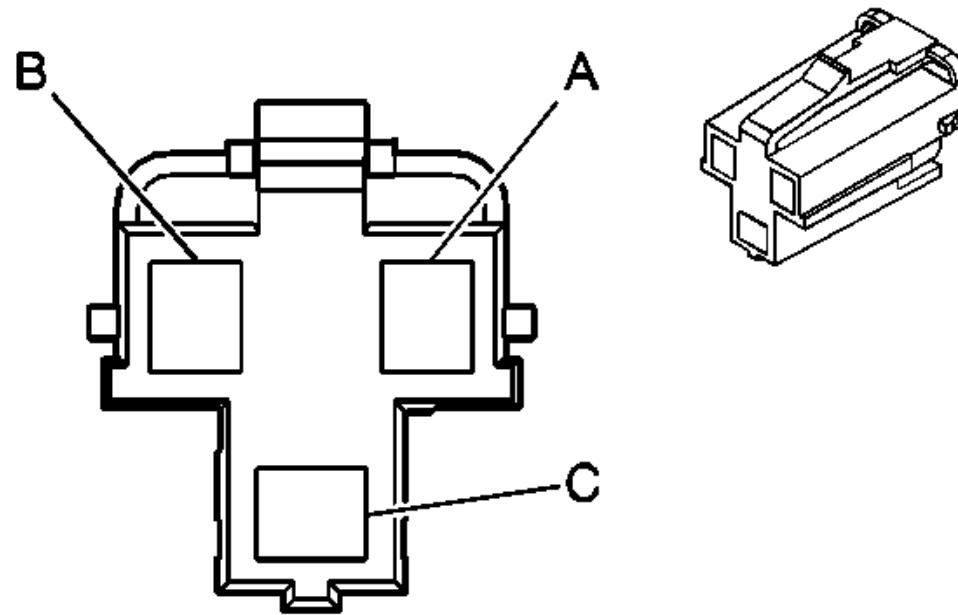
**Fig. 2: Center Console Of Vehicle (M43 or M75) Component View**  
 Courtesy of GENERAL MOTORS CORP.

**Callouts For Fig. 2**

Callout	Component Name
1	Auxiliary Power Outlet - Front
2	Auxiliary Power Outlet - Rear

**POWER OUTLET CONNECTOR END VIEWS**

**Auxiliary Power Outlet - Front**

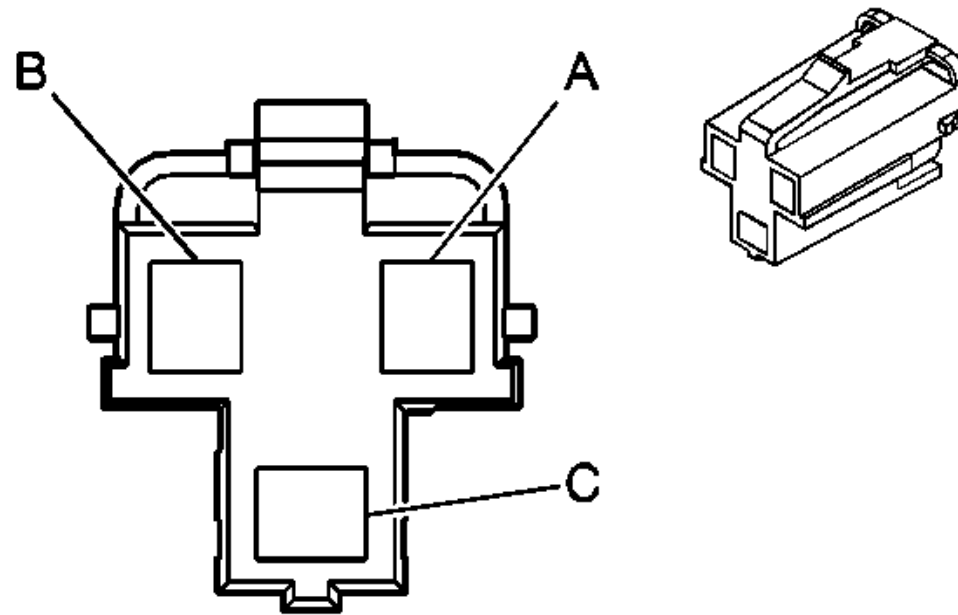


**Connector Part Information**

- 12176836
- 3-Way F Metri-Pack 280 Series (GY)

Pin	Wire Color	Circuit No.	Function
A	OG	40	Battery Positive Voltage
B	-	-	Not Used
C	BK	550	Ground

**Auxiliary Power Outlet - Rear**



#### Connector Part Information

- 12176836
- 3-Way F Metri-Pack 280 Series (GY)

Pin	Wire Color	Circuit No.	Function
A	YE	443	Accessory Voltage
B	-	-	Not Used
C	BK	650	Ground

## REPAIR INSTRUCTIONS

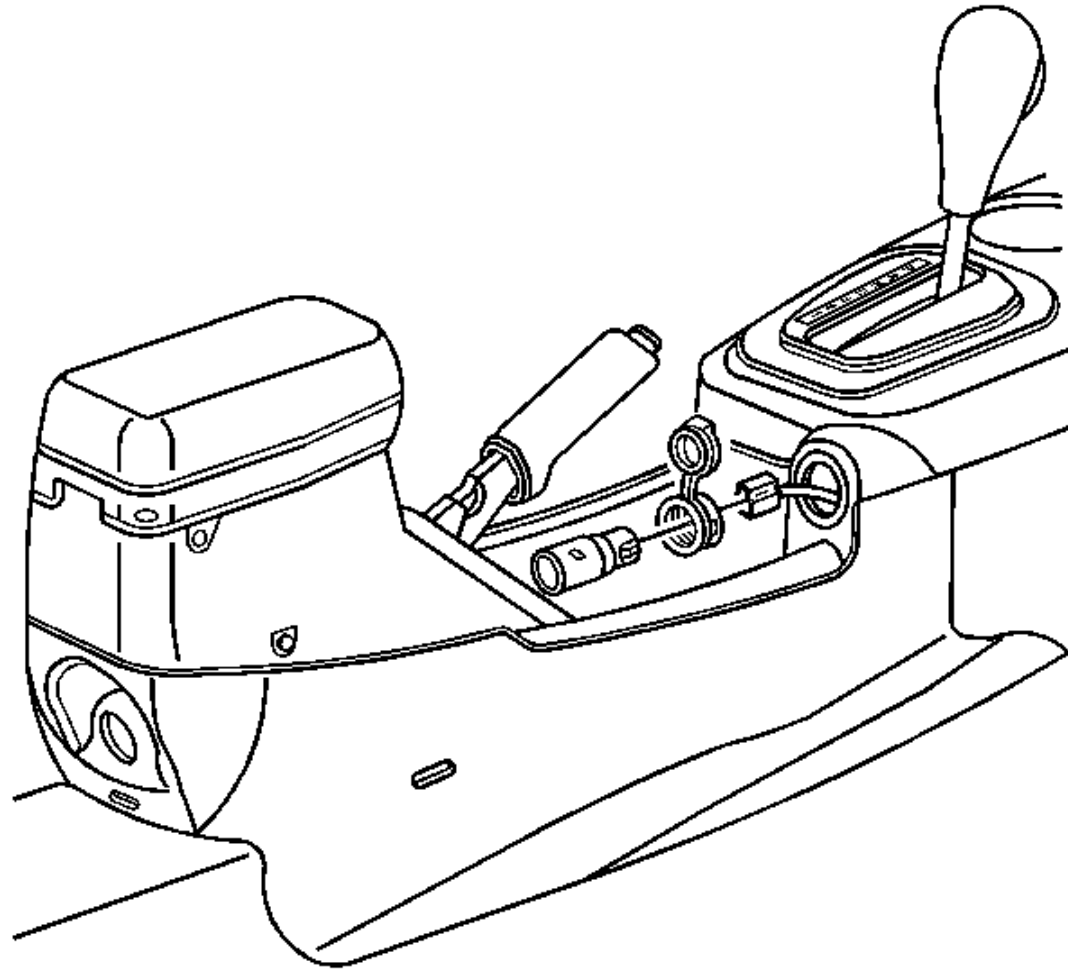
### CIGAR LIGHTER HOUSING REPLACEMENT - FLOOR CONSOLE

#### Tools Required

**J 42059** Cigar Lighter Socket Remover. See [Special Tools](#).

#### Removal Procedure

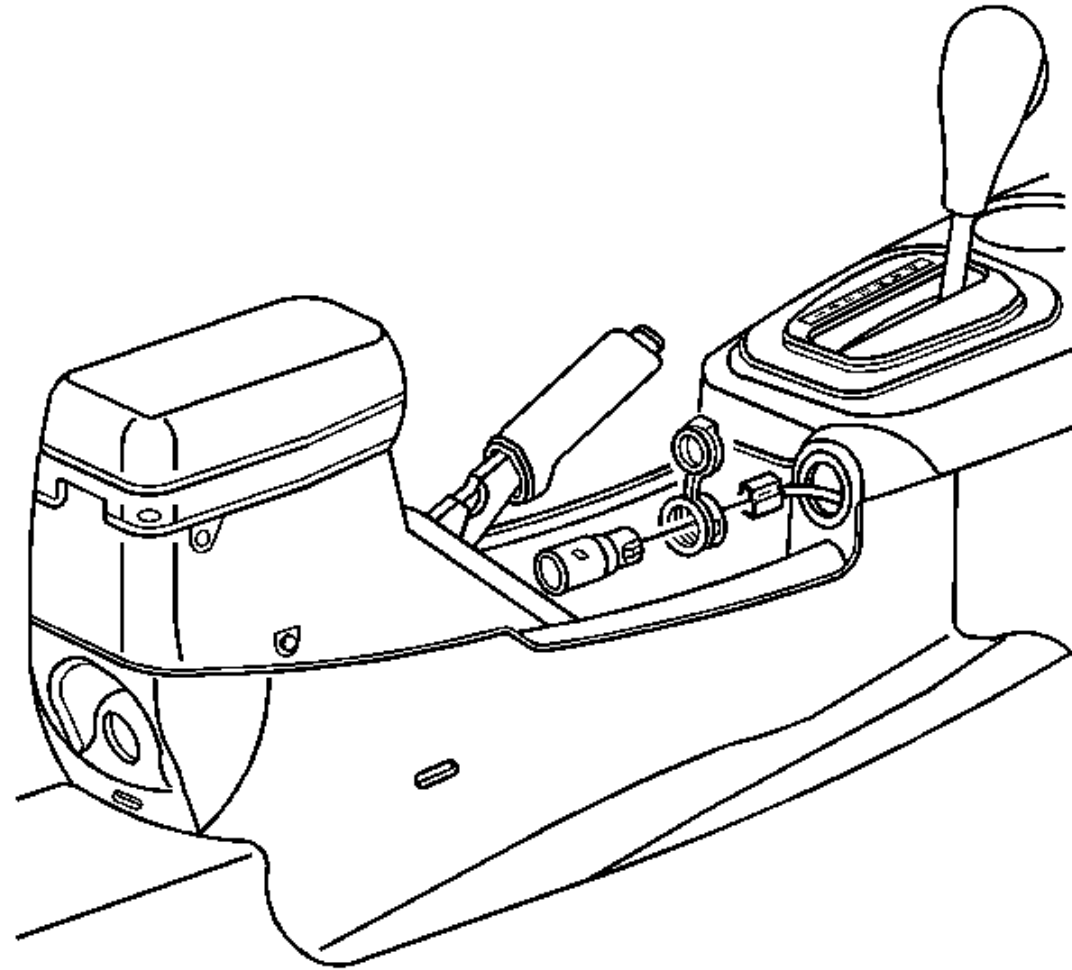
1. Remove the cigar lighter fuse.
2. Remove the cigar lighter element.



**Fig. 3: View Of Cigar Lighter Housing**  
Courtesy of GENERAL MOTORS CORP.

3. Remove the cigar lighter socket by placing one side of the "T" portion of the tool **J 42059** into the tab window and then angle the other side into the opposite tab window, then pull the lighter socket straight out. See [Special Tools](#).
4. Disconnect the cigar lighter electrical connector.

#### **Installation Procedure**



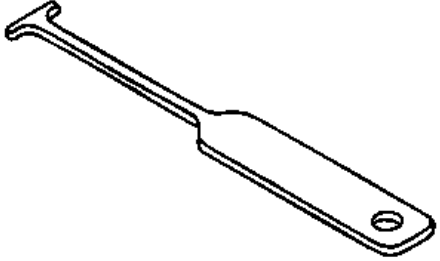
**Fig. 4: View Of Cigar Lighter Housing**  
Courtesy of GENERAL MOTORS CORP.

1. Position the cigar lighter retainer with the key to the slot into the cigar lighter hole.
2. Connect the cigar lighter electrical connector.
3. Align the cigar lighter socket to the front console cupholder and press into place until fully seated.
4. Install the cigar lighter element.
5. Install the cigar lighter fuse.

## **SPECIAL TOOLS AND EQUIPMENT**

### **SPECIAL TOOLS**

**Special Tools**

Illustration	Tool Number/ Description
	<p data-bbox="1471 304 1873 374">J 42059 Cigar Lighter Socket Remover</p>