

## 2003-04 ELECTRICAL

### Fuses & Circuit Breakers - Ion

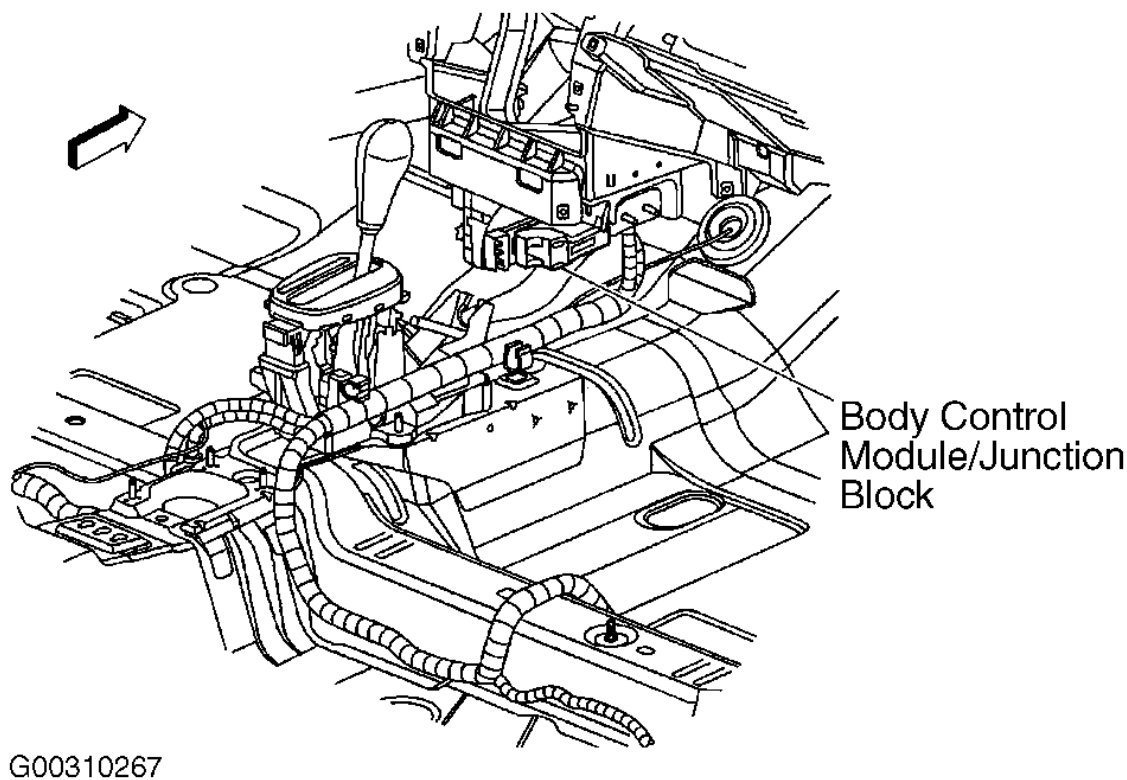
## IDENTIFICATION

**WARNING:** Vehicles are equipped with air bag supplemental restraint system. Before attempting any repairs involving steering column, instrument panel or related components, see **SERVICE PRECAUTIONS** and **DISABLING & ACTIVATING AIR BAG SYSTEM** in appropriate **AIR BAG RESTRAINT SYSTEMS** article in **RESTRAINTS**.

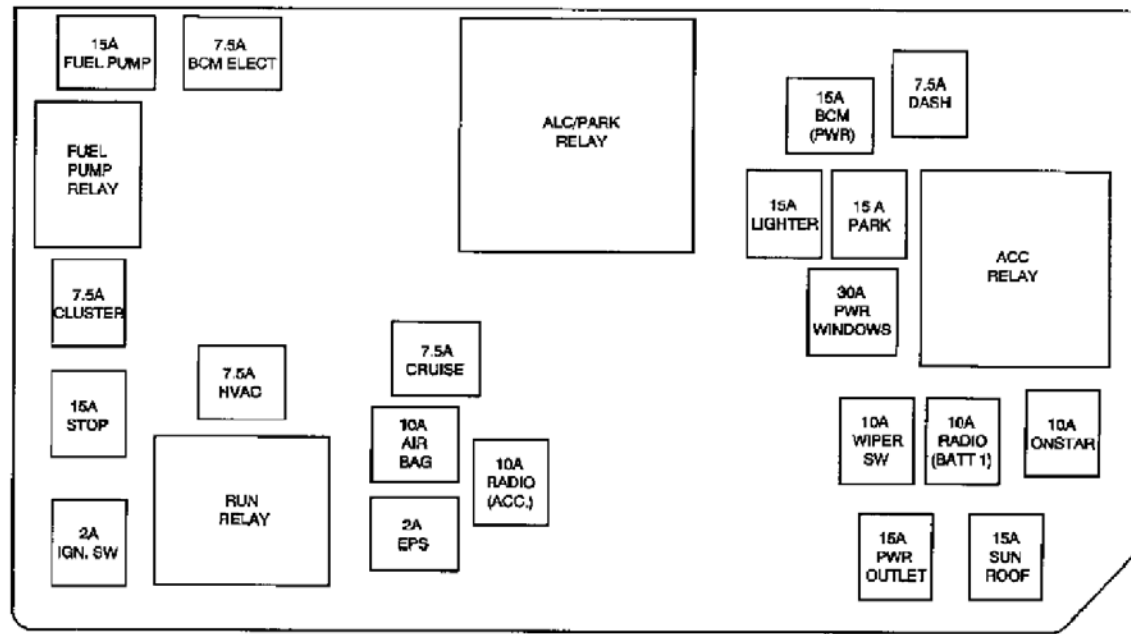
**CAUTION:** When battery is disconnected, vehicle computer and memory systems may lose memory data. Driveability problems may exist until computer systems have completed a relearn cycle. See [COMPUTER RELEARN PROCEDURES](#) article in **GENERAL INFORMATION** before disconnecting battery.

## BODY CONTROL MODULE/JUNCTION BLOCK

Body Control Module/Junction Block is located at lower center of instrument panel. See [Fig. 1](#).



**Fig. 1: Locating Body Control Module/Junction Block**  
Courtesy of GENERAL MOTORS CORP.



G00310268

**Fig. 2: Identifying Body Control Module/Junction Block Components**  
 Courtesy of GENERAL MOTORS CORP.

Fuse	Rating	Description
AIR BAG Fuse	10A	SDM
ALC/PARK Relay	--	Marker/Park Lamps
ACC Relay	--	Body Control Module PWR OUTLET, PWR WINDOWS, WIPER SW, SUN ROOF, and RADIO (ACC.) Fuses
BCM ELECT Fuse	7.5A	BCM
BCM (PWR) Fuse	15A	BCM and Rear Compartment Lid Release Switch
CLUSTER Fuse	7.5A	IPC
CRUISE Fuse	7.5A	ECM, CCM (K34), and Clutch Start Switch (M86)
DASH Fuse	7.5A	BCM
EPS Fuse	2A	EPS Assembly and Steering Wheel Controls-Left (K34)
FUELPUMP Fuse	15A	Body Control Module FUEL PUMP Relay
FUEL PUMP Relay	--	Fuel Pump
HVAC Fuse	7.5A	HVAC Control Assembly
IGN SW Fuse	2A	Ignition Switch
LIGHTER Fuse	15A	Cigar Lighter and DLC
ONSTAR Fuse	10A	VCIM (UE1)
PARK Fuse	15A	ALC/PARK Relay and Turn Signal/Multifunction Switch
PWR OUTLET Fuse	15A	Auxiliary Power Outlet
PWR WINDOWS Fuse	30A	Window Switch-Driver (A31) and Window Switch-Front Passenger(A31)
RADIO (ACC.) Fuse	10A	Radio
RADIO (BATT 1)	10A	Radio
RUN Relay	--	HVAC Control Assembly and Body Control Module HVAC Fuse
STOP Fuse	15A	Stop Lamp Switch-Upper
SUN ROOF Fuse	15A	Inside Rearview Mirror and Sunroof Switch (CF5)
WIPER SW Fuse	10A	Windshield Wiper/Washer Switch and Ignition Lock Cylinder Control Solenoid (M43 or M75)

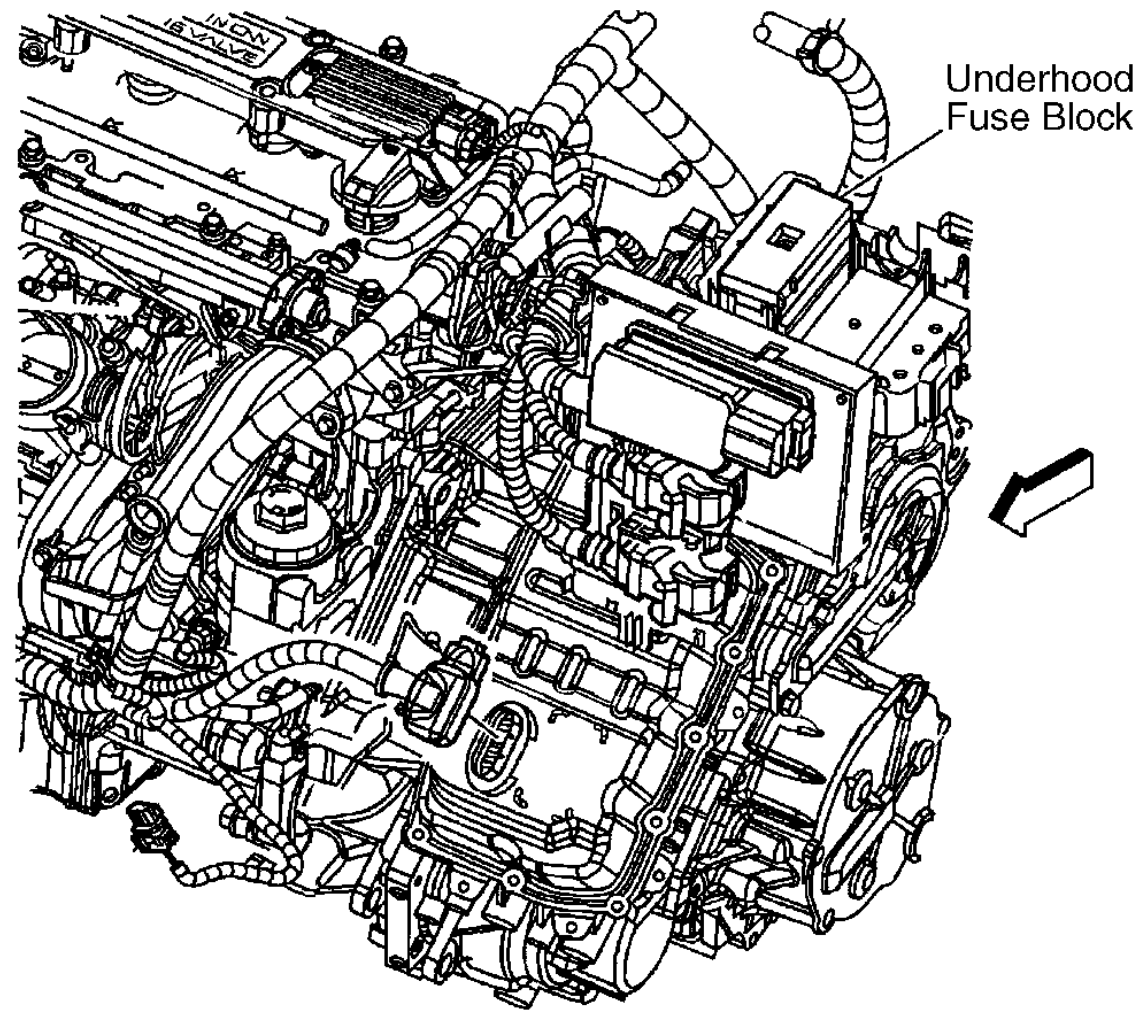
G00310269

**Fig. 3: Body Control Module/Junction Block Legend**

Courtesy of GENERAL MOTORS CORP.

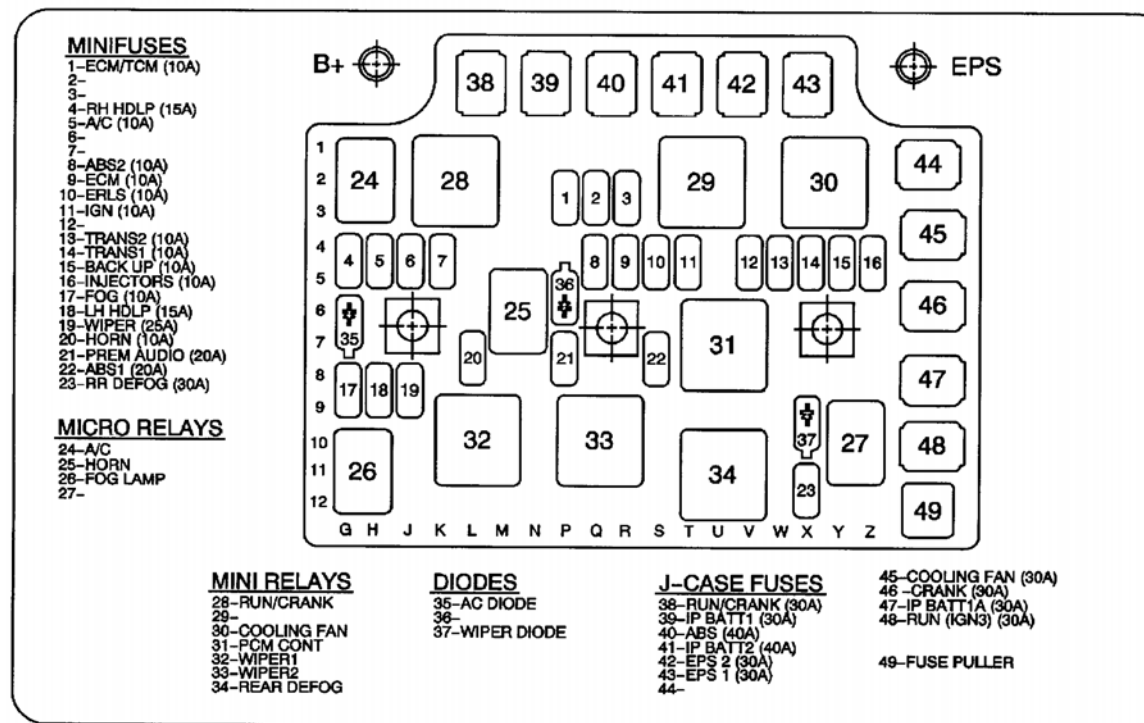
**UNDERHOOD FUSE BLOCK**

Underhood fuse block is located on driver's side in the engine compartment. See [Fig. 4](#) .



G00310270

**Fig. 4: Locating Underhood Fuse Block**  
Courtesy of GENERAL MOTORS CORP.



G00310271

**Fig. 5: Identifying Underhood Fuse Block Components**

Courtesy of GENERAL MOTORS CORP.

No.	Fuse	Rating	Description
1	ECM/TCM Fuse	10A	TCM and ECM
2-3	--	--	Not Used
4	RH HDLP Fuse	15A	Headlamp-Right
5	A/C Fuse	10A	A/C Relay
6-7	--	--	Not Used
8	ABS2 Fuse	10A	EBCM (JM4)
9	ECM Fuse	10A	ECM
10	ERLS Fuse	10A	EVAP Canister Purge Solenoid, EVAP Canister Vent Solenoid, Coolant Level Switch, HO2S 1, and HO2S 2
11	IGN Fuse	10A	ICM and PNP Switch
12	--	--	Not Used
13	TRANS2 Fuse	10A	Ratio Control Motor
14	TRANS1 Fuse	10A	TCM and PNP Switch (M43 or M75)
15	BACK UP Fuse	10A	PNP Switch (M43 or M75) or Backup Lamp Switch (M86)
16	INJECTORS Fuse	10A	Fuel Injectors 1-4
17	FOG Fuse	10A	FOG LAMP Relay
18	LH HDLP Fuse	15A	Headlamp-Left
19	WIPER Fuse	25A	WIPER Relay
20	HORN Fuse	10A	HORN Relay
21	PREM AUDIO	20A	Audio Amplifier (UZ6)
22	ABS1 Fuse	20A	EBCM (JM4)
23	RR DEFOG Fuse	30A	REAR DEFOG Relay
24	A/C Relay	--	A/C Compressor Clutch
25	HORN Relay	--	Horn
26	FOG LAMP Relay	--	Fog Lamps

G00310272

**Fig. 6: Underhood Fuse Block Legend (1 Of 2)**

Courtesy of GENERAL MOTORS CORP.

27	--	--	Not Used
28	RUN/CRANK Relay	--	Fuse Block - Underhood ABS 2, ECM, IGN, TRANS 2, TRANS 1, BACK UP, ERLS, INJECTORS Fuses, A/C Relay, Body Control Module AIR BAG, EPS, and CRUISE Fuses
29	--	--	Not Used
30	COOLING FAN Relay	--	Cooling Fan
31	PCM CONT Relay	--	Starter
32	WIPER1 Relay	--	Wiper 2 Relay
33	WIPER2 Relay	--	Windshield Wiper Motor Assembly
34	REAR DEFOG Relay	--	Rear Window Defogger Grid
35	AC DIODE	--	
36	--	--	Not Used
37	WIPER DIODE	--	
38	RUN/CRANK Fuse	30A	RUN/CRANK Relay
39	IP BATT1 Fuse	30A	Body Control Module PARK, LIGHTER, DASH, BCM PWR, ONSTAR, RADIO Fuses and ACC Relay
40	ABS Fuse	40A	EBCM (JM4)
41	IP BATT2 Fuse	40A	Body Control Module FUELPUMP, STOP, CLUSTER, IGN SW, AND BCM ELECT Fuses
42	EPS 2 Fuse	30A	EPS
43	EPS 1 Fuse	30A	EPS
44	--	--	Not Used
45	COOLING FAN Fuse	30A	COOLING FAN Relay
46	CRANK Fuse	30A	PCM CONT Relay
47	IP BATT1A Fuse	30A	Body Control Module PARK, LIGHTER, DASH, BCM PWR, ONSTAR, RADIO Fuses and ACC Relay
48	RUN (IGN3) Fuse	30A	Body Control Module RUN RELAY
49	--	--	Fuse Puller

G00310273

**Fig. 7: Underhood Fuse Block Legend (2 Of 2)**

Courtesy of GENERAL MOTORS CORP.